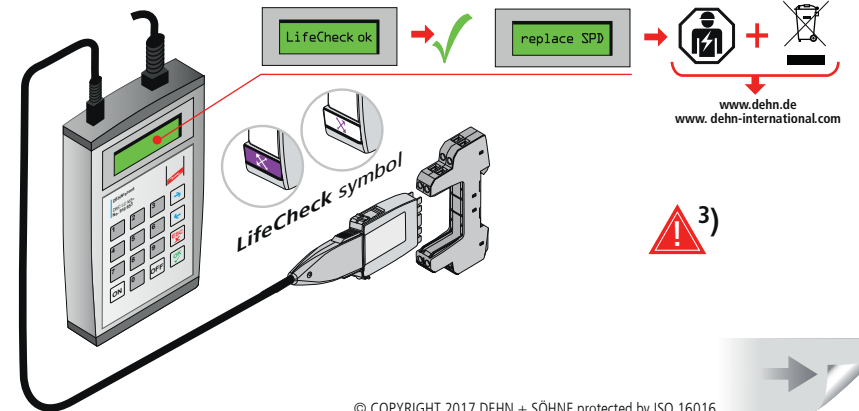
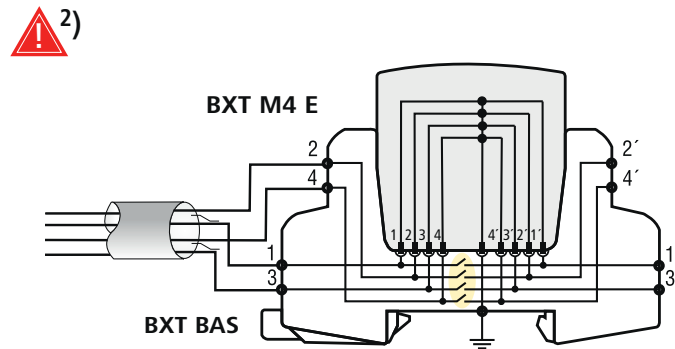
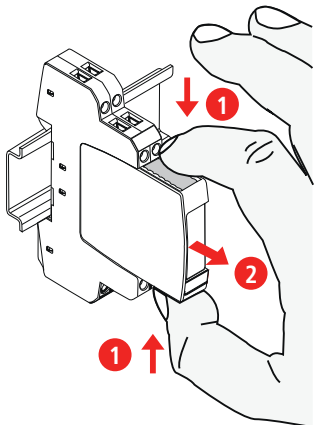
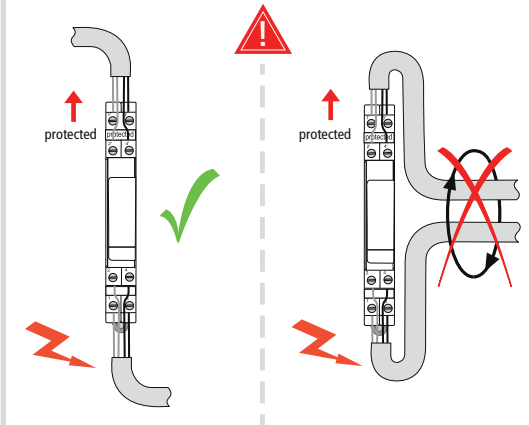
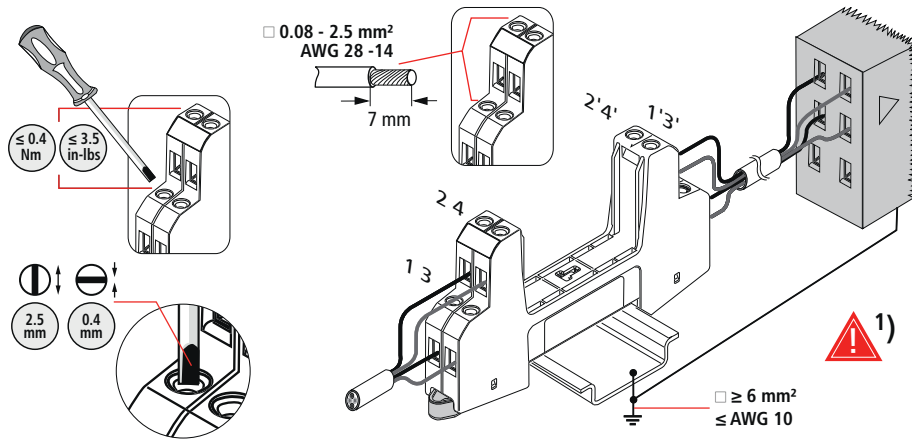
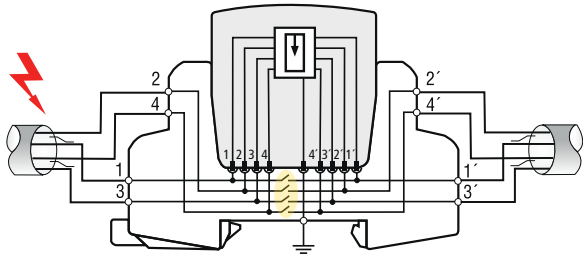
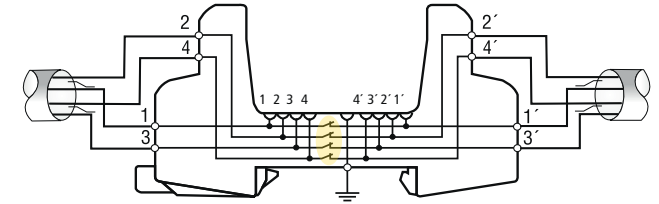
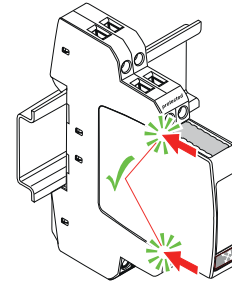
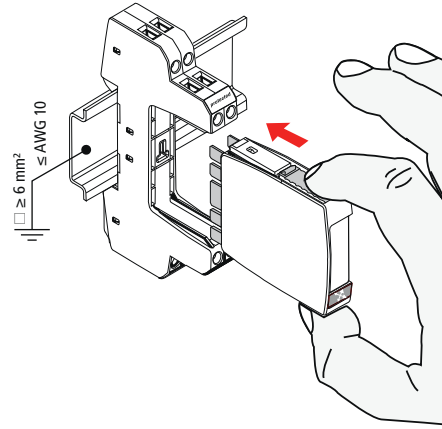
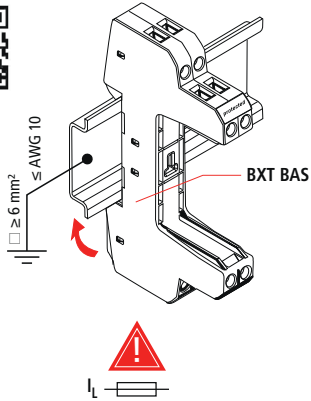
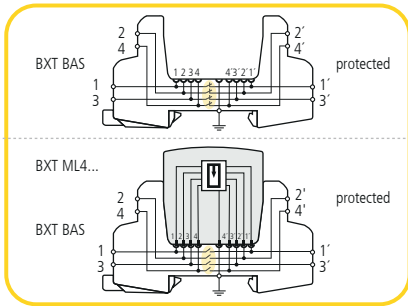


BLITZDUCTOR® XT

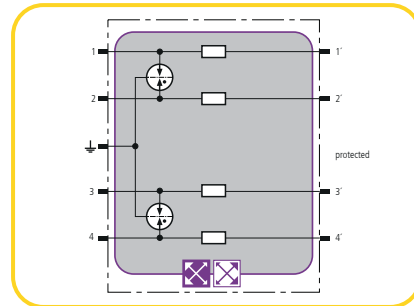
- DE Einbauanleitung
- GB Installation instructions
- IT Istruzioni di montaggio
- FR Instructions de montage
- NL Montagehandleiding
- ES Instrucciones de montaje
- PT Instruções de montagem
- DK Monteringsvejledning
- SE Monteringsanvisning
- FI Asennusohje
- GR Οδηγίες συναρμολόγησης
- PL Instrukcja montażu
- CZ Montážní návod
- TR Kurulum Talimatları
- RU Инструкция по монтажу
- CN 安装说明
- HU Szerelési útmutató
- JP 設置説明書



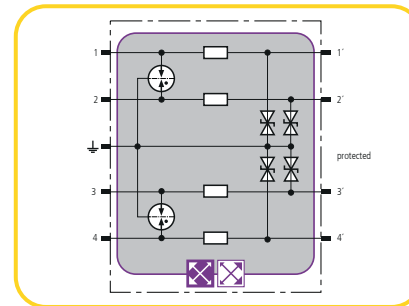
BXT BAS Part No. 920 300



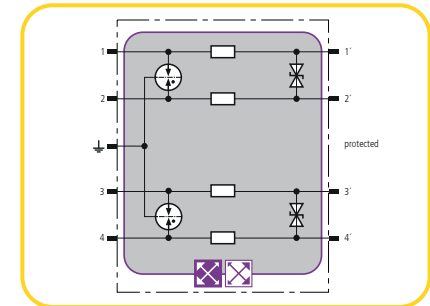
BXT ML4 B XXX Part No. 920 3XX



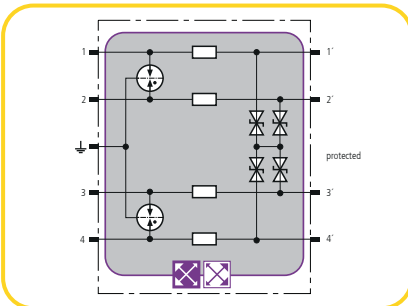
BXT ML4 BE XXX Part No. 920 3XX



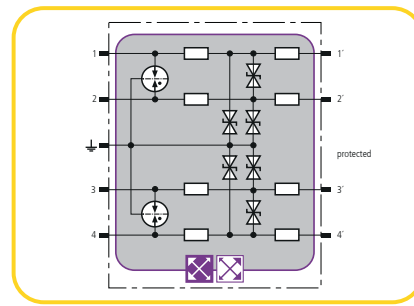
BXT ML4 BD XXX Part No. 920 3XX



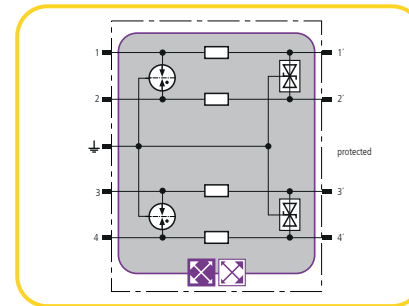
BXT ML4 BC XXX Part No. 920 3XX



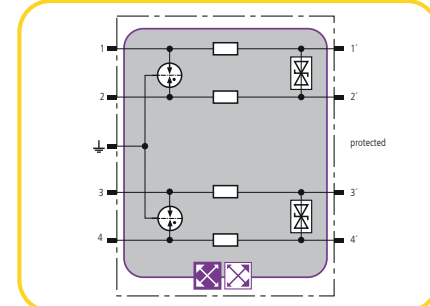
BXT ML4 BE C XXX Part No. 920 3XX



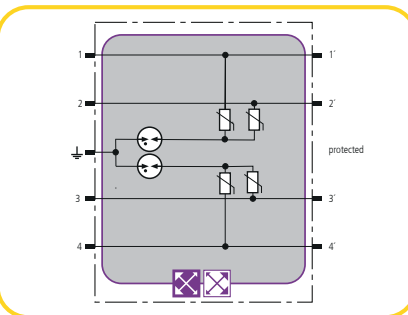
BXT ML4 BE HF XX Part No. 920 37X



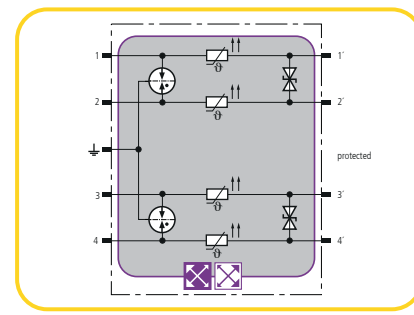
BXT ML4 BD HF XX Part No. 920 37X



BXT ML4 MY XXX Part No. 920 3XX



BXT ML4 BPD 24 Part No. 920 314



Um die ordnungsgemäße Funktion des Ableiters sicherzustellen, muss das speisende Netzgerät (Kurzschlussstrom > 1 A) an der „protected“ Seite angeordnet sein!

To ensure proper operation of the arrester, the power supply unit (short-circuit current > 1 A) must be situated on the „protected“ side!



BLITZDUCTOR® XT UL requirements



IEC 60417-6182:
Installation,
electrotechnical expertise

- These modules are intended for ordinary indoor use on communication loop circuits that are isolated from the Public Switched Telephone Network.
- The protector module shall be secured to the compatible protector base before applying power to the communication loop.
- The protector base shall be secured to a compatible DIN Rail ground bar using the methods described in this instruction.
- Proper grounding continuity shall be determined.
- If a replacement module is needed, deactivate power to the communication loop and only use a listed protector module having the same rated voltage breakdown range.
- Please install the protector modules in accordance with the applicable requirements of the National Electrical Code, Article 800 or other applicable local codes.
- Performance testing has not been conducted on the LifeCheck function by Underwriters Laboratories.
- Screw Terminal Ratings with the applicable wire gauge sizes shall be noted.
- The maximum circuit current for UL 497 B application is limited to 100 mA.

Tabulation Strike voltage in accordance with UL 497 B (Protectors for Data Communication and Fire Alarm Circuits)									
BXT Series ML4		Strike voltage 100 Volts / sec				Surge voltage 100 Volts / µsec			
Type	Part No.	Line to Ground		Line to Line		Line to Ground		Line to Line	
		min.	max.	min.	max.	min.	max.	min.	max.
BXT ML4 BE 5	920 320	6,7 V	8,5 V	13,4 V	17 V	6,7 V	9 V	13,4 V	18 V
BXT ML4 BE 12	920 322	16,5 V	18,7 V	33 V	37,5 V	16 V	19 V	33 V	38 V
BXT ML4 BE 24	920 324	35 V	42 V	70 V	83 V	35 V	45 V	70 V	90 V
BXT ML4 BE 36	920 336	50 V	56 V	72 V	112 V	50 V	56 V	100 V	112 V
BXT ML4 BE 48	920 325	59 V	67 V	72 V	133 V	59 V	70 V	118 V	140 V
BXT ML4 BE 60	920 326	72 V	97 V	72 V	173 V	72 V	90 V	144 V	180 V
BXT ML4 BE 180	920 327	182 V	224 V	182 V	446 V	182 V	220 V	182 V	500 V
BXT ML4 BD 5	920 340	70 V	110 V	6,7 V	8,5 V	70 V	550 V	6,7 V	9 V
BXT ML4 BD 12	920 342	70 V	110 V	16,5 V	18,7 V	70 V	550 V	16 V	19 V
BXT ML4 BD 24	920 344	70 V	110 V	35 V	42 V	70 V	550 V	35 V	45 V
BXT ML4 BD 48	920 345	70 V	110 V	59 V	67 V	70 V	550 V	59 V	70 V
BXT ML4 BD 60	920 346	70 V	110 V	72 V	87 V	70 V	550 V	72 V	90 V
BXT ML4 BD 180	920 347	182 V	278 V	182 V	224 V	182 V	550 V	182 V	250 V
BXT ML4 BE HF 5	920 370	7,5 V	10 V	7,5 V	10 V	7,5 V	11 V	7,5 V	11 V
BXT ML4 BD HF 5	920 371	70 V	110 V	7,5 V	11 V	70 V	550 V	7,5 V	11 V
BXT ML4 BD HF 24	920 375	70 V	110 V	36 V	43 V	70 V	550 V	36 V	47 V

Instruction for use as surge protective device in explosiv atmospheres zone 2

- when installed in potentially explosive atmospheres, the BLITZDUCTOR BXT-series shall be installed into an enclosure which meets the requirements of a recognized type of protection, in accordance with EN 60079-0
- The BLITZDUCTOR BXT-series as transient suppressor. This approval applies to the following equipment types:

Base Part: BXT BAS

Modules:

BXT ML4 B 180
BXT ML4 BE 5
BXT ML4 BE 12
BXT ML4 BE 24
BXT ML4 BE 36
BXT ML4 BE 48
BXT ML4 BE 60
BXT ML4 BE 180
BXT ML4 BC 5
BXT ML4 BC 24
BXT ML4 BE C 12
BXT ML4 BE C 24
BXT ML4 BE HF 5

Modules:

BXT ML4 BD 5
BXT ML4 BD 12
BXT ML4 BD 24
BXT ML4 BD 48
BXT ML4 BD 60
BXT ML4 BD 180
BXT ML4 BD HF 5
BXT ML4 BD HF 24

Ambient temperature and temperature class:

-40°C+80°C, T4



DEKRA

11ATEX0089 X
II 3 G Ex nA IIC T4 Gc
IECEX DEK 11.0032 X
Ex nA IIC T4 Gc

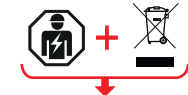
List of used standards:

- for ATEX:
EN 60079-0: 2009,
EN 60079-15: 2005
- for IECEx:
IEC 60079-0: 2007,
IEC 60079-15: 2005



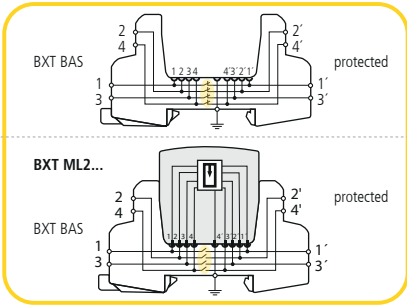
Certificate CSA 2516389

- Class I, Division 2, Groups A,B,C,D T4
- Class I, Zone 2, AEx nA IIC T4
- Ex nA IIC T4

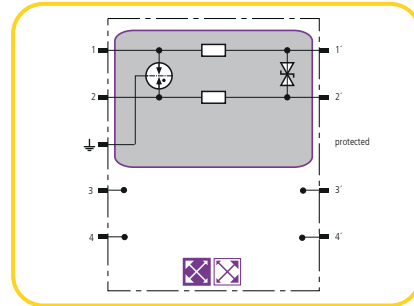


www.dehn.de
www.dehn-international.com

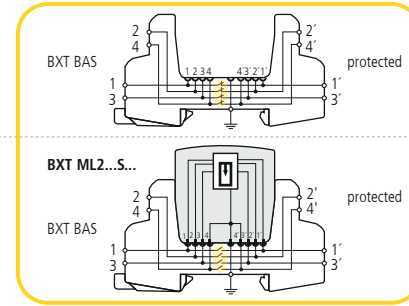
BXT BAS Part No. 920 300



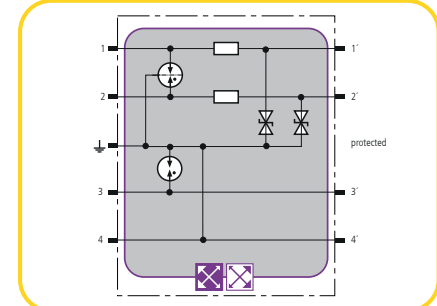
BXT ML2 BD XXX Part No. 920 247



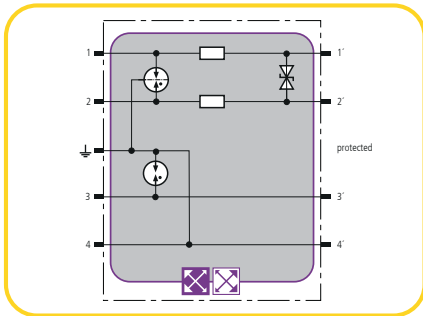
BXT BAS Part No. 920 300



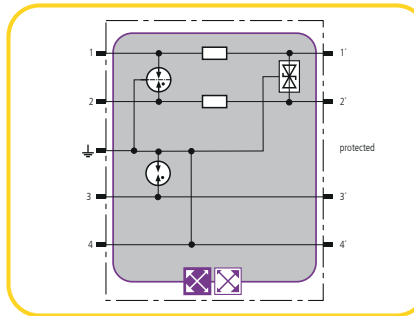
BXT ML2 BE S XX Part No. 920 2XX



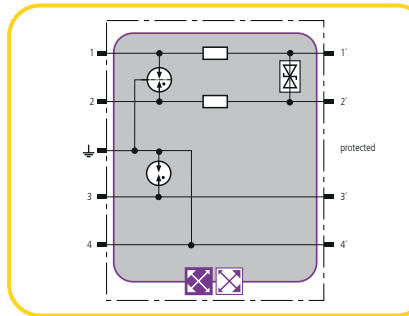
BXT ML2 BD S XX Part No. 920 2XX
BXT ML2 BD DL S 15 Part No. 920 243



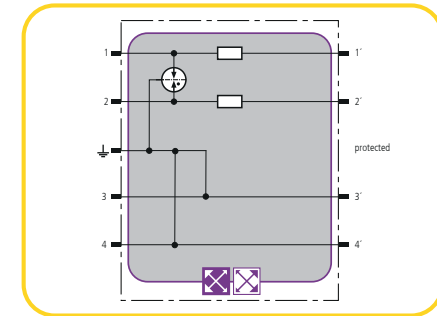
BXT ML2 BE HFS XXX Part No. 920 27X



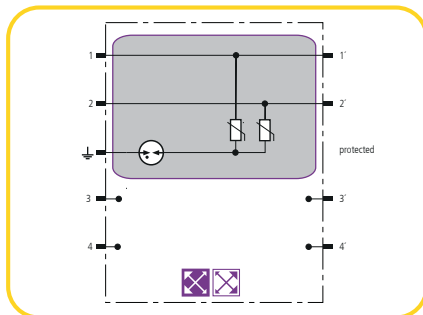
BXT ML2 BD HFS XXX Part No. 920 27X



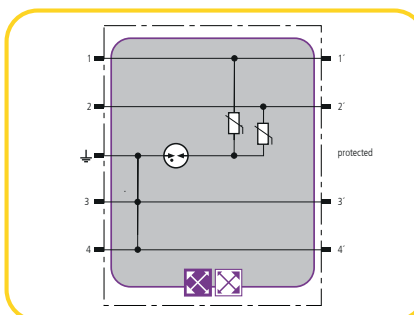
BXT ML2 B XXX Part No. 920 2XX



BXT ML2 MY 250 Part No. 920 289



BXT ML2 MY E 110 Part No. 920 28X





BLITZDUCTOR® XT UL requirements



IEC 60417-6182:
Installation,
electrotechnical expertise

1. These modules are intended for ordinary indoor use on communication loop circuits that are isolated from the Public Switched Telephone Network.
2. The protector module shall be secured to the compatible protector base before applying power to the communication loop.
3. The protector base shall be secured to a compatible DIN Rail ground bar using the methods described in this instruction.
4. Proper grounding continuity shall be determined.
5. If a replacement module is needed, deactivate power to the communication loop and only use a listed protector module having the same rated voltage breakdown range.
6. Please install the protector modules in accordance with the applicable requirements of the National Electrical Code, Article 800 or other applicable local codes.
7. Performance testing has not been conducted on the LifeCheck function by Underwriters Laboratories.
8. Screw Terminal Ratings with the applicable wire gauge sizes shall be noted.
9. The maximum circuit current for UL 497 B application is limited to 100 mA.

Tabulation Strike voltage in accordance with UL 497 B (Protectors for Data Communication and Fire Alarm Circuits)									
BXT Series ML2 Signal lines 1/1' and 2/2'		Strike voltage 100 Volts / sec				Surge voltage 100 Volts / μsec			
Type	Part No.	Line to Ground		Line to Line		Line to Ground		Line to Line	
		min.	max.	min.	max.	min.	max.	min.	max.
BXT ML2 BE S 36	920 226	50 V	56 V	72 V	112 V	50 V	56 V	100 V	112 V
BXT ML2 BE S 48	920 225	59 V	67 V	72 V	133 V	59 V	70 V	118 V	140 V
BXT ML2 BE HFS 5	952 270	7,5 V	10 V	7,5 V	10 V	7,5 V	11 V	7,5 V	11 V
BXT ML2 BD HFS 5	920 271	70 V	110 V	7 V	10 V	70 V	550 V	7 V	11 V
BXT Series ML2 Shielding lines 3/3'		Strike voltage 100 Volts / sec				Surge voltage 100 Volts / μsec			
Type	Part No.	Line to Ground		Line to Ground		Line to Ground		Line to Ground	
		min.	max.	max.	max.	max.	max.	max.	max.
BXT ML2 BE S 36	920 226	70 V	110 V	70 V	110 V	70 V	550 V	70 V	550 V
BXT ML2 BE S 48	920 225	70 V	110 V	70 V	110 V	70 V	550 V	70 V	550 V
BXT ML2 BE HFS 5	920 270	70 V	110 V	70 V	110 V	70 V	550 V	70 V	550 V
BXT ML2 BD HFS 5	920 271	70 V	110 V	70 V	110 V	70 V	550 V	70 V	550 V

Instruction for use as surge protective device in explosiv atmospheres zone 2

- when installed in potentially explosive atmospheres, the BLITZDUCTOR BXT-series shall be installed into an enclosure which meets the requirements of a recognized type of protection, in accordance with EN 60079-0
- The BLITZDUCTOR BXT-series as transient suppressor. This approval applies to the following equipment types:

**Base Part:
BXT BAS**

Modules:

- BXT ML2 B 180
- BXT ML2 BD 180
- BXT ML2 BD S 5
- BXT ML2 BD S 12
- BXT ML2 BD S 24
- BXT ML2 BD S 48
- BXT ML2 BE S 5
- BXT ML2 BE S 12
- BXT ML2 BE S 24
- BXT ML2 BE S 48
- BXT ML2 BE HFS 5
- BXT ML2 BD HFS 5
- BXT ML2 BD HFS 15

Ambient temperature and temperature class:
-40°C+80°C, T4



DEKRA

11ATEX0089 X
II 3 G Ex nA IIC T4 Gc
IECEX DEK 11.0032 X
Ex nA IIC T4 Gc

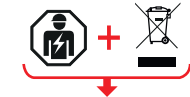
List of used standards:

- for ATEX:
EN 60079-0: 2009,
EN 60079-15: 2005
- for IECEx:
IEC 60079-0: 2007,
IEC 60079-15: 2005



Certificate CSA 2516389

- Class I, Division 2, Groups A,B,C,D T4
- Class I, Zone 2, AEx nA IIC T4
- Ex nA IIC T4



www.dehn.de
www.dehn-international.com